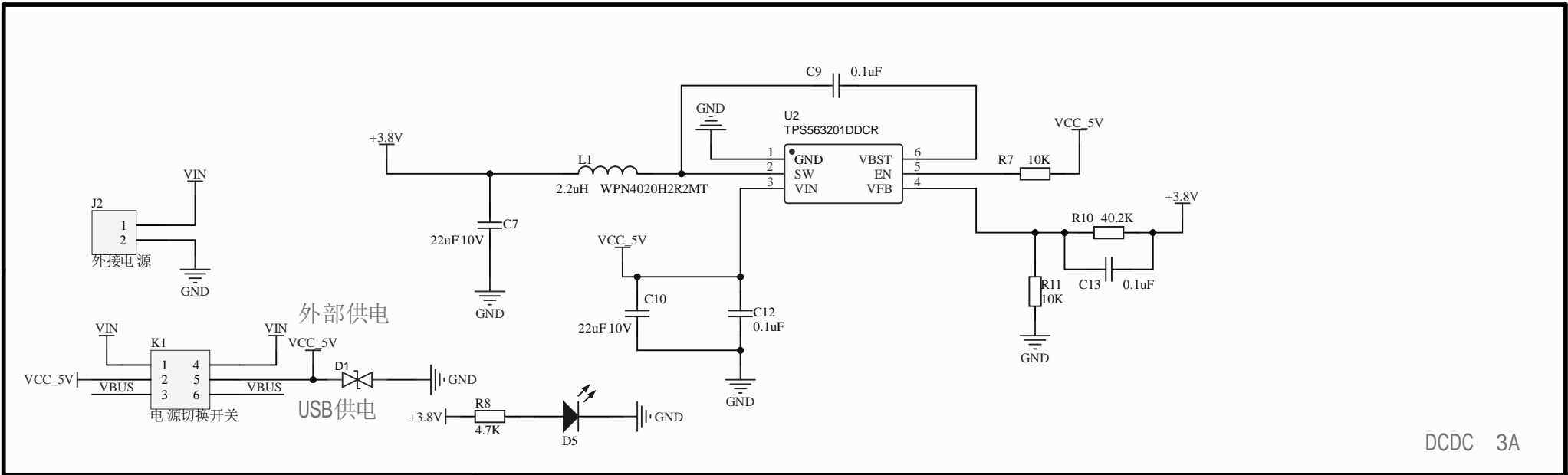
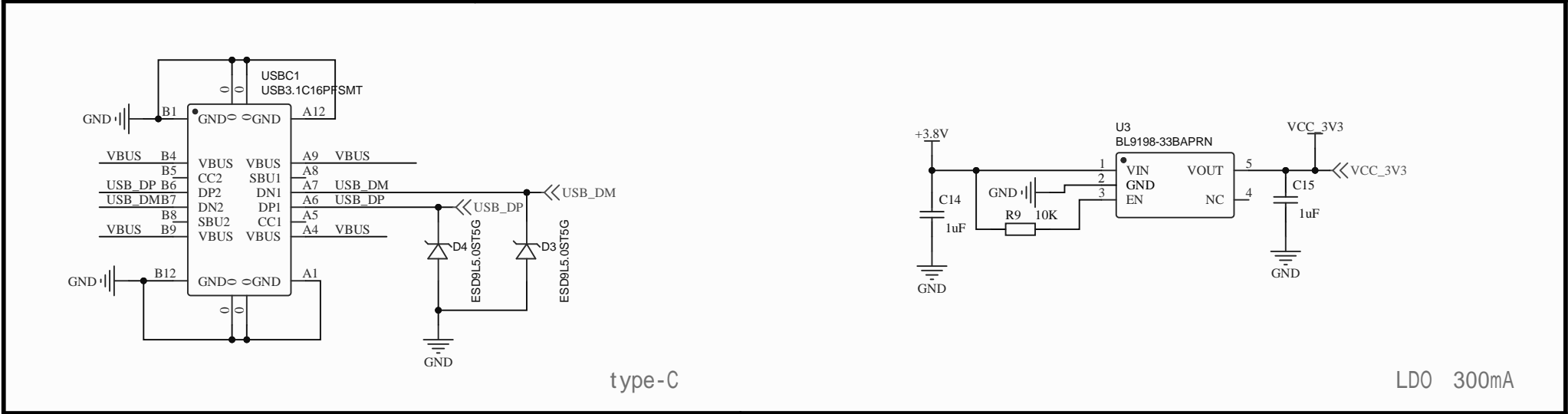


Title EC600X		
Size A2	Number	Revision
Date 3-31-2023	Sheet of G:\项目\1.1\EC600X_SchDoc	Sheet of Drawn By:



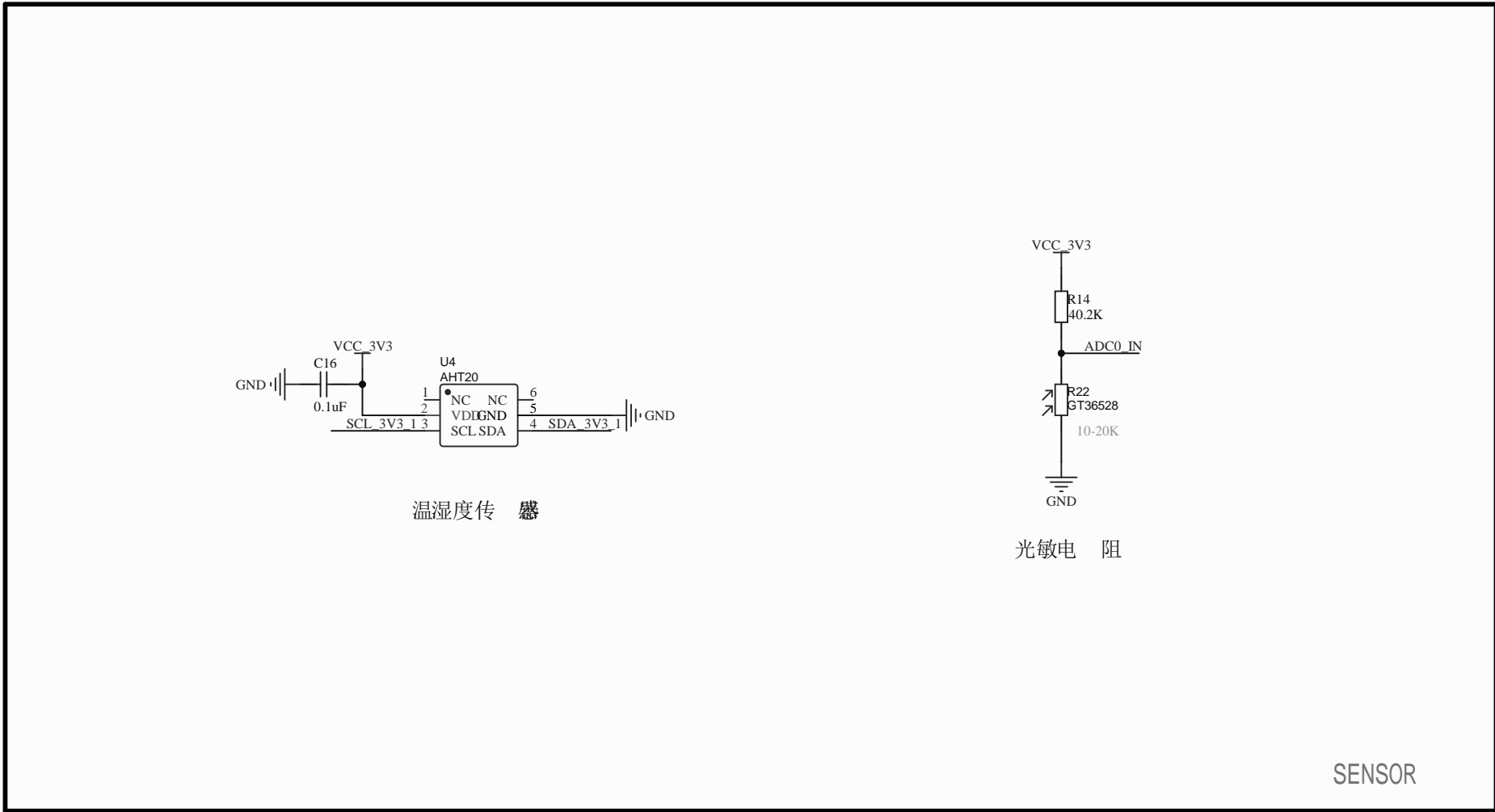
DCDC 3A



type-C

LDO 300mA

Title		
Size A4	Number	Revision
Date: 3-31-2023	Sheet of	
File: G:\项目\...\2.POWER.SchDoc	Drawn By:	

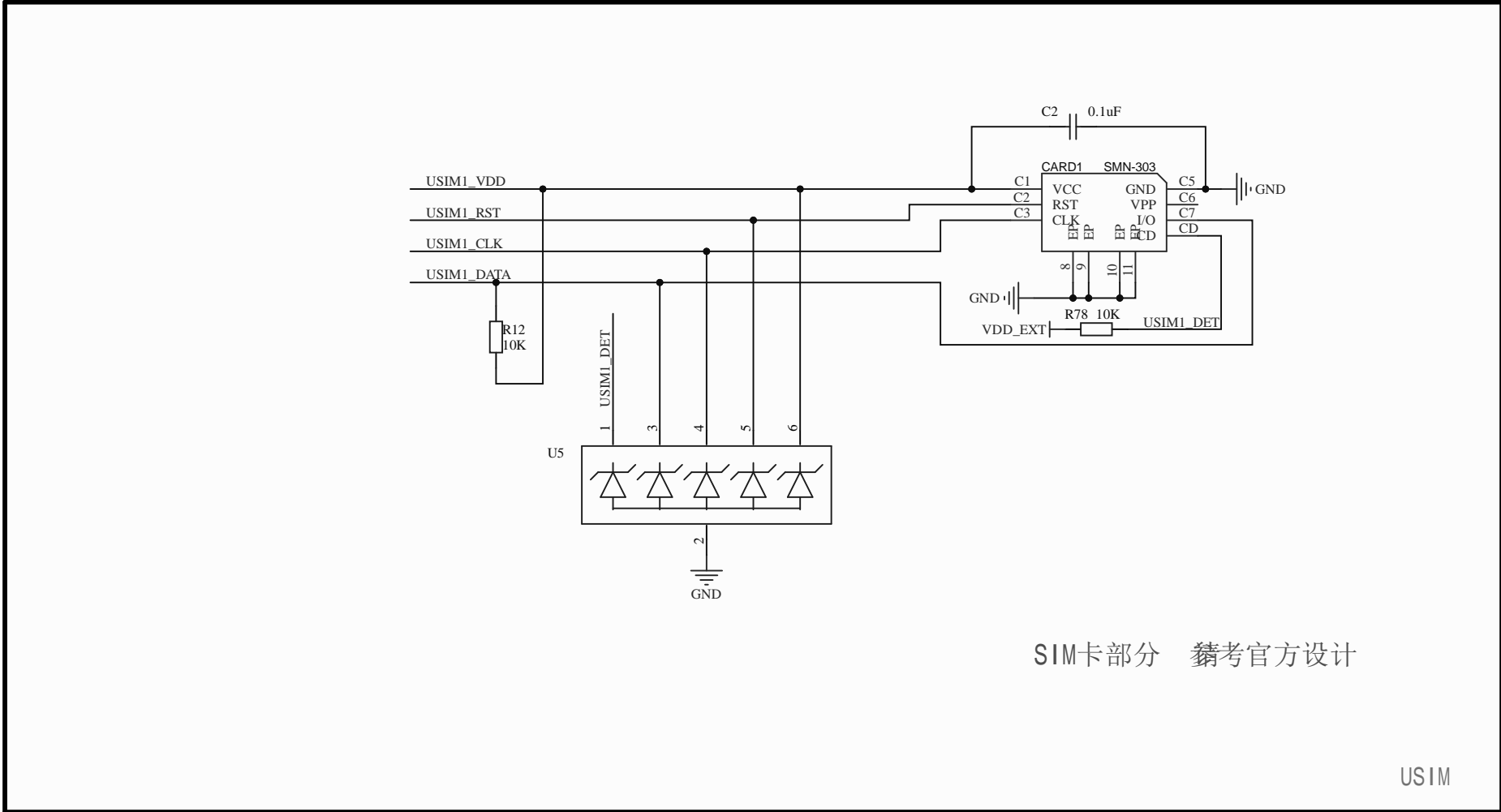


温湿度传 感

光敏电 阻

SENSOR

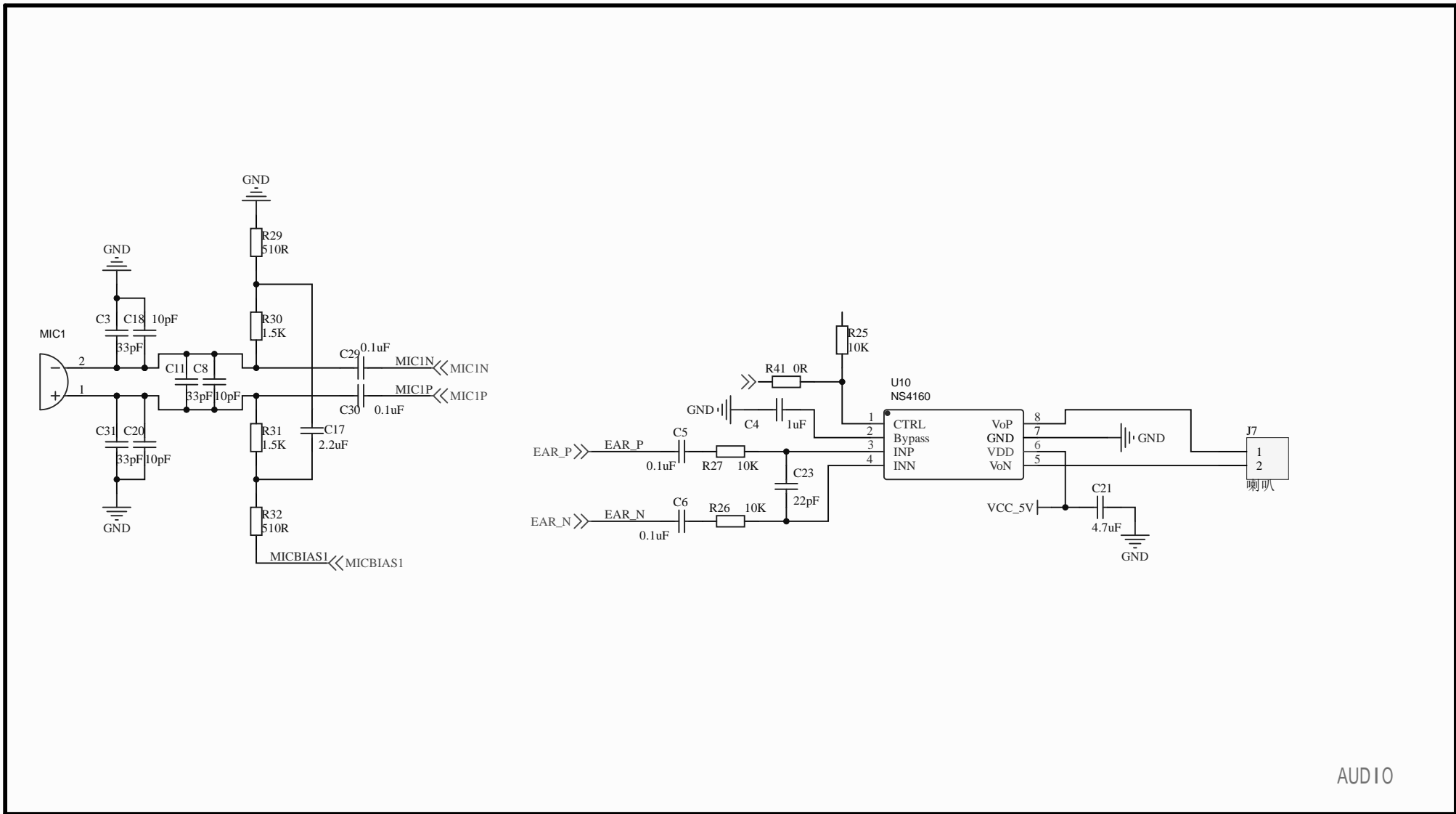
Title		
Size	Number	Revision
A4		
Date:	3-31-2023	Sheet of
File:	G:\项目 \..3.SENSOR+EEPROM.SchDoc Drawn By:	



SIM卡部分 参考官方设计

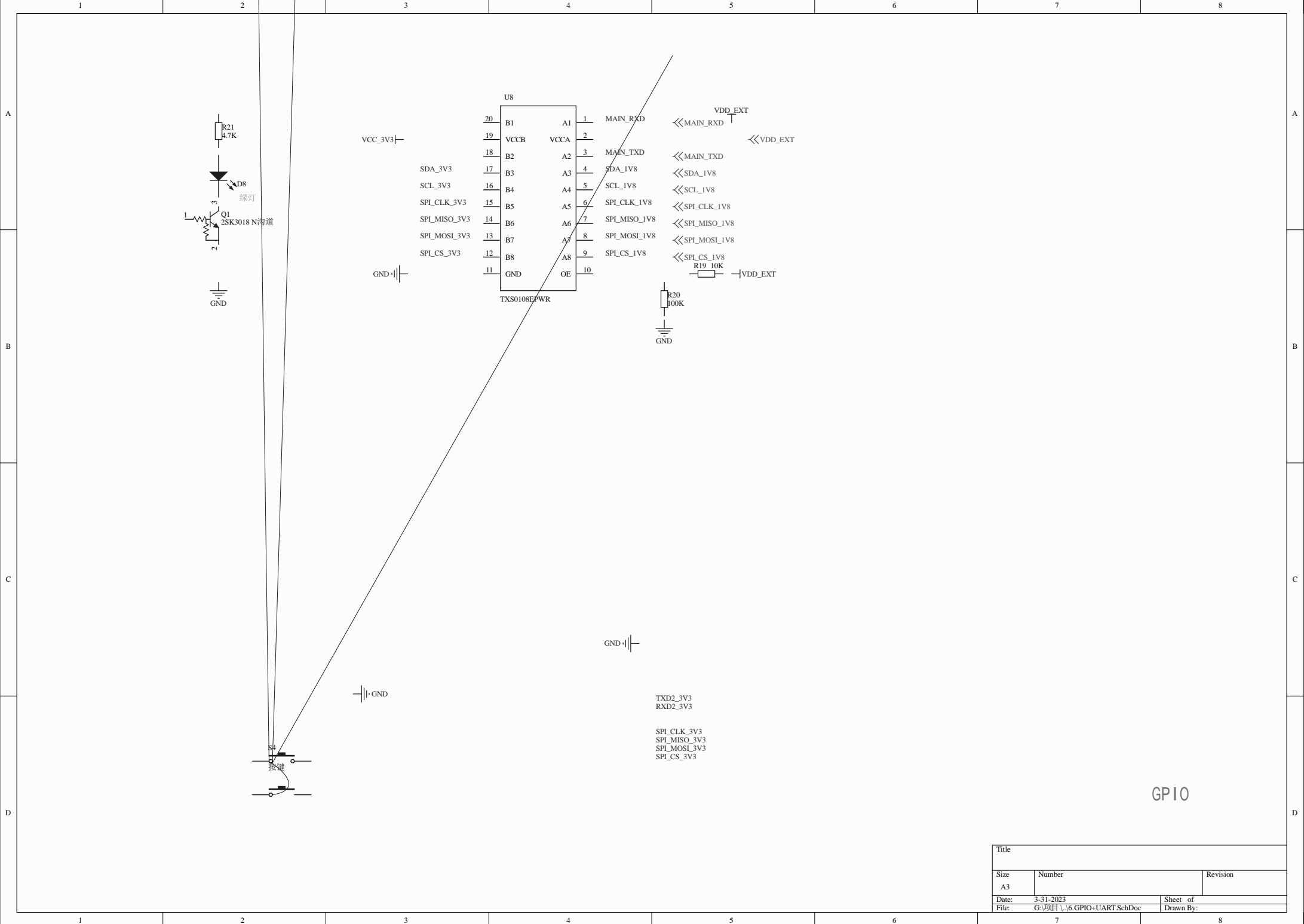
USIM

Title		
Size A4	Number	Revision
Date: 3-31-2023	Sheet of	
File: G:\项目\...\4.SIM-CARD.SchDoc	Drawn By:	



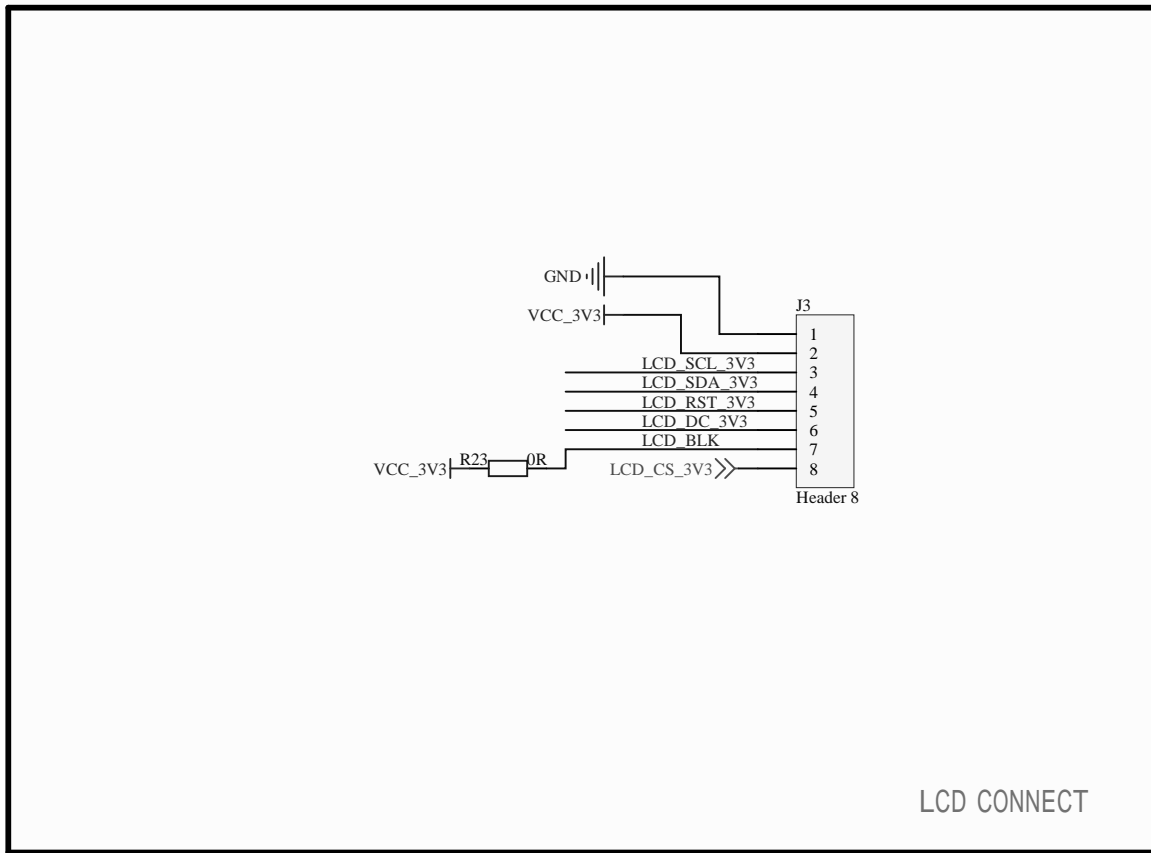
AUDIO

Title		
Size	Number	Revision
A4		
Date:	3-31-2023	Sheet of
File:	G:\项目\...\5.AUDIO.SchDoc	Drawn By:



GPIO

Title		
Size	Number	Revision
A3		
Date:	3-31-2023	Sheet of
File:	G:\项目\6.GPIO+UART.SchDoc	Drawn By:



LCD CONNECT

Title		
Size	Number	Revision
A4		
Date:	3-31-2023	Sheet of
File:	G:\项目\...\7.LCM.SchDoc	Drawn By: